

PART NAME

NEMA 4X DIE CAST ALUMINUM ENCLOSURE

PART No.

AN-1305, AN-1305-G, AN-2805 & AN-2805-B

REV. DATE

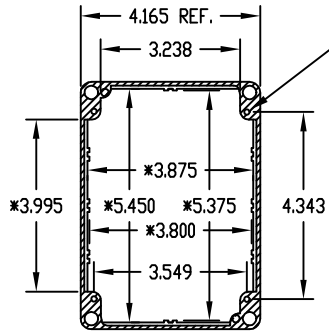
12-17-08

MATERIAL: ALUMINUM ALLOY #ADC-12

FINISH: NATURAL (NO SUFFIX)
 GRAY (SUFFIX -G)
 SMOOTH BLACK (SUFFIX -B)

NOTES:

- 1) FOUR (4) M4 x 20mm (0.787") LG. SCREWS SUPPLIED FOR ASSEMBLY OF COVER TO BODY.
- 2) ALL HOLE DIAMETERS HAVE ±0.005 TOLERANCE
 ALL OTHER DIMENSIONS HAVE ±0.015 TOLERANCE

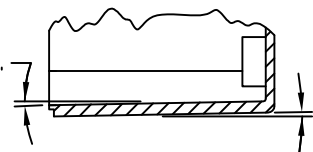


SECTION "C-C"

* DIMENSIONS ARE AT BOTTOM OF ENCLOSURE

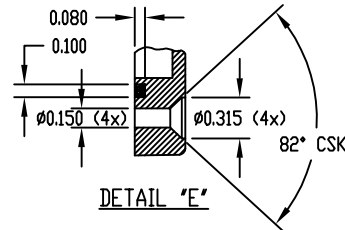
Ø0.125 x 0.250 DEEP (4x)
 ACCEPTS M3.5 x 6mm
 SELF-TAPPING SCREW
 (NOT SUPPLIED)

1° DRAFT REF.

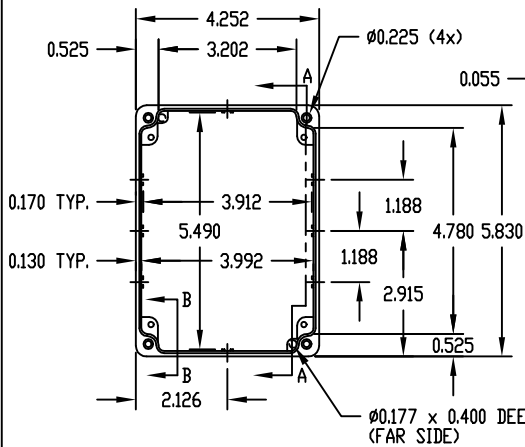


SECTION "B-B"

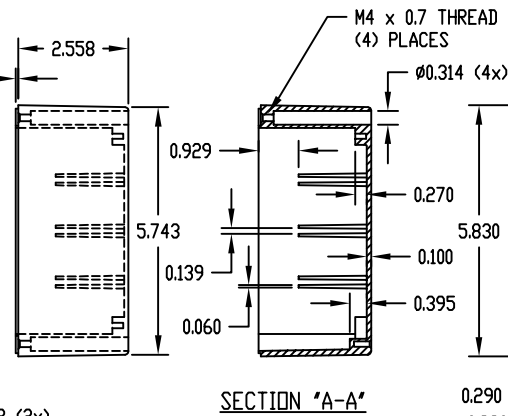
1° DRAFT REF.



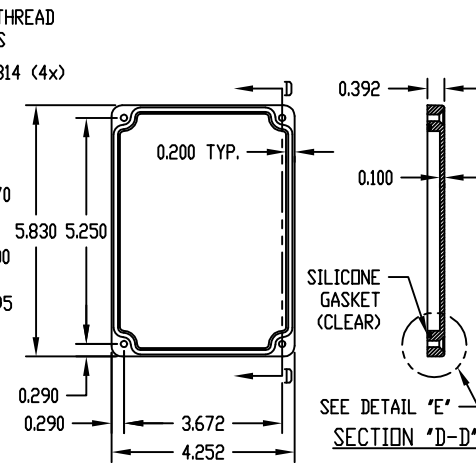
DETAIL "E"



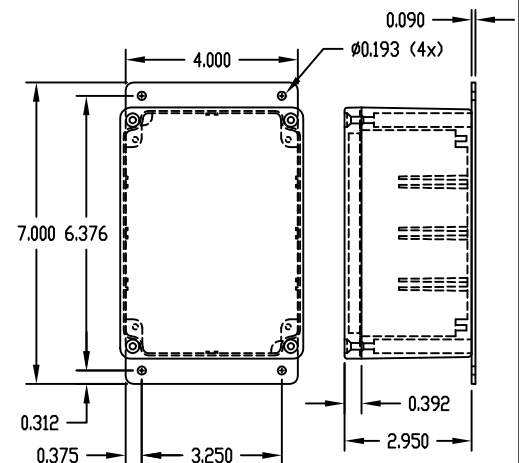
BODY



SECTION "A-A"



COVER



PART NO. AN-2805 & AN-2805-B
 ARE SUPPLIED WITH A WELDED
 ON MOUNTING BRACKET ONLY.